



New Product for 2006

March Performance is pleased to announce several new performance bracket and pulley kits for 2005. Precision CNC machined from solid billet 6061-T6 aluminum to handle high torque and vibration. Bracket kit comes complete with stainless steel tensioning rods and chrome moly rod ends for high performance operation.



Shown with optional March Performance Billet Alternator and Billet Saginaw Type Power Steering Pump and pulley nose cover

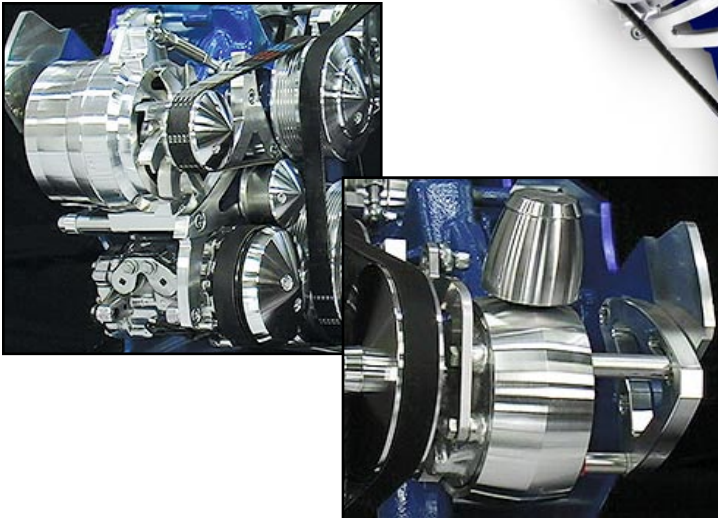
Ford "FE" Serpentine Conversion Kit with Mid Mount A/C

A hard to find serpentine conversion kit for Ford FE motors. This Exceptionally styled kit mounts the A/C unit low and below the alternator for a simple and compact accessory drive setup. The ultimate in adaptability. Available without power steering, The power steering brackets for this kits are designed to use a Saginaw power steering pump or our own billet pump. Our billet pulleys and brackets have a "No Polishing" maintenance-free clear powdercoating.

Application:
Ford FE Motors



Non -A/C Kit



News Release



Ford "FE" Alt. and P/S with Mid Mount A/C Serpentine Kits

This great looking new compact serpentine drive kit mounts the A/C unit low and under the alternator using a unique one piece bracket. Power steering brackets are available for mounting a Saginaw style pump. Looks fantastic with March Performance own billet aluminum Saginaw style power steering pump and billet alternator.

NEW!

Kit comes complete with stainless steel tensioning rods and chrome moly rod ends for high performance operation. All necessary hardware included. Matching serpentine pulleys are precision CNC machined

Application:

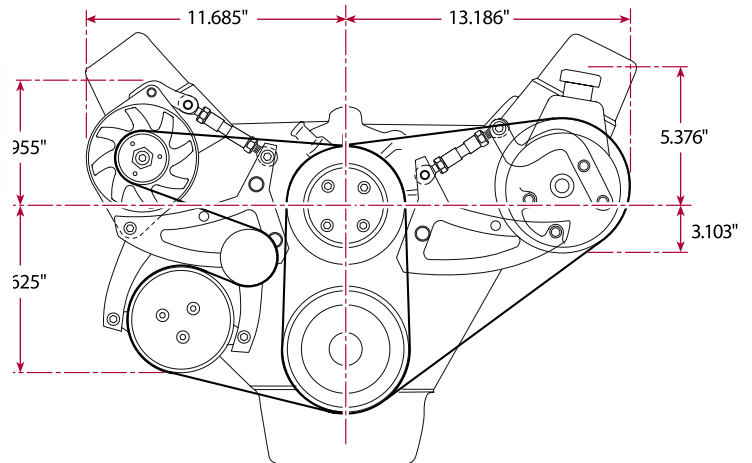
Ford FE

Kit Includes:

- ▣ Combination Alternator/A/C bracket with idler, tensioners and hardware Non A/C kits have alternator only bracket without idler
- ▣ Crank pulley, water pump pulley with nose cover
- ▣ Alternator pulley with fan and nose cover
- ▣ Power steering kit includes bracket kit for Saginaw pump unit and pulley
- ▣ Tensioning rod and rod ends
- ▣ Grade 8 mounting hardware

Optional Billet Accessories:

- ▣ #9665 March billet alternator
- ▣ #9600 Saginaw style billet power steering pump.
- ▣ #360 Power Steering Pump Pulley Nose Cover



Non A/C Kit

Ford "FE"				
Kit #Drives	Alternator	A/C	Water Pump	Saginaw Power Steering
19020	YES		YES*	
19025	YES		YES	YES
19030	YES	YES	YES	YES
19035	YES	YES	YES	
Type of Accessories	Ford 6-12 o'clock mounting 6" or 7" diameter alternator or March Billet alt.	Sanden 7176 serpentine A/C Compressor or March P-411	Ford FE	1966-74 Saginaw keyway pump with canister or March Billet Saginaw Pump