



New Products for 2004

March Performance is pleased to announce several new performance bracket and pulley kits for 2004. Precision CNC machined from solid billet 6061-T6 aluminum to fit perfectly and handle high torque and vibration. Bracket kit comes complete with stainless steel tensioning rods and chrome moly rod ends for high performance operation.

"Mid Mount A/C" Compact Design Chevy Small & Big Blocks:

This ingeniously designed mid mount serpentine kit incorporates a combination bracket that provides a compact and strong mounting for the alternator and air conditioner. The addition of an idler provides excellent belt wrap around the alternator and A/C compressor pulleys for "No Slip" operation. Replaces your low performance V-belts, pulleys and brackets while retaining your standard rotation water pump. Simple to bolt on! Eliminates belt throwing. CNC machined from solid billet 6061-T6 aluminum. This translates into a spectacular looking new machine finish with perfect fit and extra high strength. All our billet pulleys and brackets have a "No Polishing" maintenance-free clear powdercoating. Our kit comes complete with stainless steel tensioning rod, chrome moly rod ends and necessary mounting hardware.

Application:

These kits fit most mid and full size cars from the early 1950's and newer. Kit also fits 1969 and later Camaros and Nova's. Other cars check water pump nose to radiator clearance. Long water pumps extend out 8" from the engine block, plus clearance for mechanical or electric fans.

Ultra Kits Includes:

- Alternator/Air Conditioner brackets and idler
- A/C nose cover
- Crank pulley
- Water pump pulley with nose cover
- Alternator pulley with alternator fan and nose cover
- Power steering kit includes power steering brackets and pulley



Big Block



Small Block



News Release



CHEVY BIG BLOCK MID MOUNT SERPENTINE CONVERSION

Long Water Pump Standard Rotation

New!

Ultra Kit

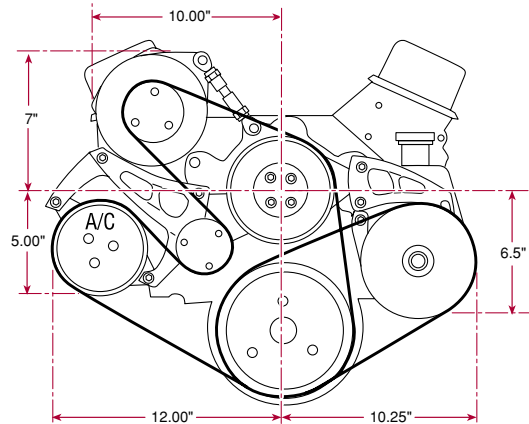
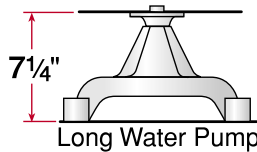
This ingeniously designed mid mount serpentine kit incorporates a combination bracket that provides a compact and strong mounting for the alternator and air conditioner. The addition of an idler provides excellent belt wrap around the alternator and A/C compressor pulleys for "No Slip" operation. Replaces your low performance V-belts, pulleys and brackets while retaining your standard rotation water pump. Simple to bolt on! Eliminates belt throwing. CNC machined from solid billet 6061-T6 aluminum. This translates into a spectacular looking new machine finish with perfect fit and extra high strength. All our billet pulleys and brackets have a "No Polishing" maintenance-free clear powdercoating. Our kit comes complete with stainless steel tensioning rod, chrome moly rod ends and necessary mounting hardware.

Application:

These kits fit most mid and full size cars from the early 1950's and newer. Kit also fits 1969 and later Camaros and Nova's. Other cars check water pump nose to radiator clearance. Long water pumps extend out 8" from the engine block, plus clearance for mechanical or electric fans.

Ultra Kits Includes:

- Alternator/Air Conditioner brackets and idler
- A/C nose cover
- Crank pulley
- Water pump pulley with nose cover
- Alternator pulley with alternator fan and nose cover
- Power steering kit includes power steering brackets and pulley



High Water Flow Kits (Increases Cooling)									
Kit # Drives	Alternator	A/C	Water Pump	Saginaw Keyway P/S Pump	Saginaw Press Fit P/S Pump	Remote Reservoir P/S Pump	Alt. A/C Belt Size	P/S Belt Size	Price
23071	X	X	X	X			61"	35"	\$799.95
23081	X	X	X		X		61"	35"	\$799.95
23091	X	X	X			X	61"	35"	\$799.95
Type of Accessories	GM 6-12 o'clock mounting 6" or 7" diameter alternator	Sanden 7176 or March P411 compressor	Long water pump standard rotation	1966-76 keyway Saginaw pump with canister	1970-78 press fit Saginaw pump with canister	1987 Sunbird power steering pump	Dayco 6 rib	Dayco 6 rib	

MARCH PERFORMANCE, INC. • 6020 HIX RD. WESTLAND, MI 48185
Phone 734-729-9070 Fax 734-729-9075 www.marchperf.com



CHEVY SMALL BLOCK SERPENTINE CONVERSION

Mid Mount with A/C Long Water Pump Standard Rotation

New!

Ultra Kit

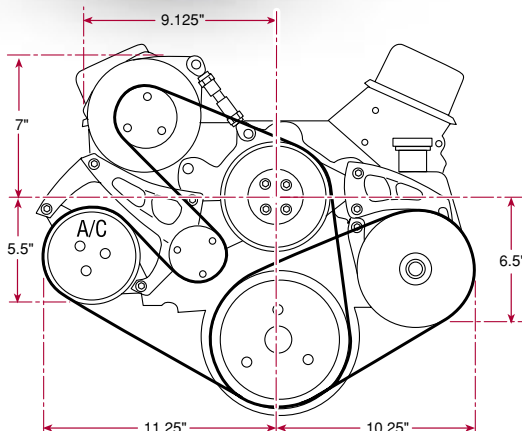
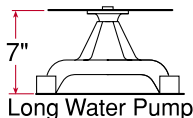
This ingeniously designed mid mount serpentine kit incorporates a combination bracket that provides a compact and strong mounting for the alternator and air conditioner. The addition of an idler provides excellent belt wrap around the alternator and A/C compressor pulleys for "No Slip" operation. Replaces your low performance V-belts, pulleys and brackets while retaining your standard rotation water pump. Simple to bolt on! Eliminates belt throwing. CNC machined from solid billet 6061-T6 aluminum. This translates into a spectacular looking new machine finish with perfect fit and extra high strength. All our billet pulleys and brackets have a "No Polishing" maintenance-free clear powdercoating. Our kit comes complete with stainless steel tensioning rod, chrome moly rod ends and necessary mounting hardware.

Application:

These kits fit most mid and full size cars from the early 1950's and newer. Kit also fits 1969 and later Camaros and Nova's. Other cars check water pump nose to radiator clearance. Long water pumps extend out 8" from the engine block, plus clearance for mechanical or electric fans.

Ultra Kits Includes:

- Alternator/Air Conditioner brackets and idler
- A/C nose cover
- Crank pulley
- Water pump pulley with nose cover
- Alternator pulley with alternator fan and nose cover
- Power steering kit includes power steering brackets and pulley



High Water Flow Kits (Increases Cooling)									
Kit # Drives	Alternator	A/C	Water Pump	Saginaw Keyway P/S Pump	Saginaw Press Fit P/S Pump	Saginaw Metric P/S Pump	Alt. A/C Belt Size	P/S Belt Size	Price
22072	X	X	X	X			61"	35"	\$769.95
22082	X	X	X		X		61"	35"	\$769.95
22087	X	X	X			X	61"	35"	\$769.95
Type of Accessories	GM 6-12 o'clock mounting 6" or 7" diameter alternator	Sanden 7176 or March P411 compressor	Long water pump standard rotation	1966-76 keyway Saginaw pump with canister	1970-78 press fit Saginaw pump with canister	1978-87 press fit Saginaw metric pump	Dayco 6 rib	Dayco 6 rib	

MARCH PERFORMANCE, INC. • 6020 HIX RD. WESTLAND, MI 48185
Phone 734-729-9070 Fax 734-729-9075 www.marchperf.com