

CHEVY BIG BLOCK SERPENTINE KIT

“Front Mount” Compact Design Short Water Pump, Reverse Rotation Design

This new system has been designed for mounting accessories below the valve covers and in between the width of the heads. Precision CNC machined from 6061-T6 aluminum for strength and perfect fit. Hardcoated on high wear areas. Clear coated to eliminate polishing in those hard to reach places.

Application: Kit is designed to fit Ram Jet, Tuneports, Single and multi carb engines

Kit 1. Ultra: As pictured

Includes:

- Polished Sanden A/C compressor
- Polished March Alternator
- Aluminum reverse rotation water pump
- Type 2 power steering pump
- OEM tensioner
- A/C bracket & nose cover
- Alternator bracket
- P/S bracket and housing cover
- Crank pulley
- Water pump pulley with fairing and nose cover
- Alternator pulley with machined fan and nose cover
- Wing Cross emblem
- polished A/C Lines

Kit 2. Deluxe: Ideal for cars with minimal engine to radiator clearance, see dimensional diagrams.

Includes: All above mentioned parts, minus-

- A/C nose cover
- Alternator pulley nose cover
- Water pump pulley nose cover
- Tensioner pulley nose cover

Kit 3. Custom: A low cost system that gives up nothing in performance. Uses non-polished A/C compressor, Water pump and alternator with standard steel alt fan.

Includes: All above Deluxe Kit parts, minus-

- All nose covers
- Power steering housing cover
- Tensioner housing cover
- Wing emblem

Upgrades for Deluxe or Custom Kits:

- #394 A/C nose cover
- #221 Alternator fan
- #307 Alternator cover
- #332 Water pump nose cover
- #20357-C Power steering housing cover
- #780 Tensioner pulley nose cover
- #781-A Tensioner cover
- #20356-B Tensioner housing cover
- #P145 Polished aluminum water pump

3 Great New Styles!

New!



Forward Dimensions

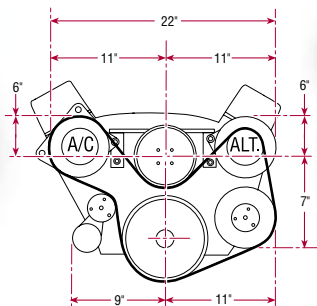
Balancer face to front of...

Crank pulley	3.500"
Water pump pulley.....	3.700"
Water pump w/nose cover.....	4.400"
A/C unit.....	4.000"
A/C w/nose cover	4.750"
Alt. pulley.....	3.550"
Alt. w/nose cover.....	4.100"
Power Steering.....	3.750"

Upgrades for Deluxe or Custom Kits:



Passenger Side



Drivers Side

High Water Flow A/C Kits (Increases Cooling)

Kit Type	Kit # Drives	Alternator	A/C	Power Steering
Ultra	20350	X	X	
Ultra	20360	X	X	X
Deluxe	20370	X	X	
Deluxe	20380	X	X	X
Custom	20375	X	X	
Custom	20385	X	X	X